

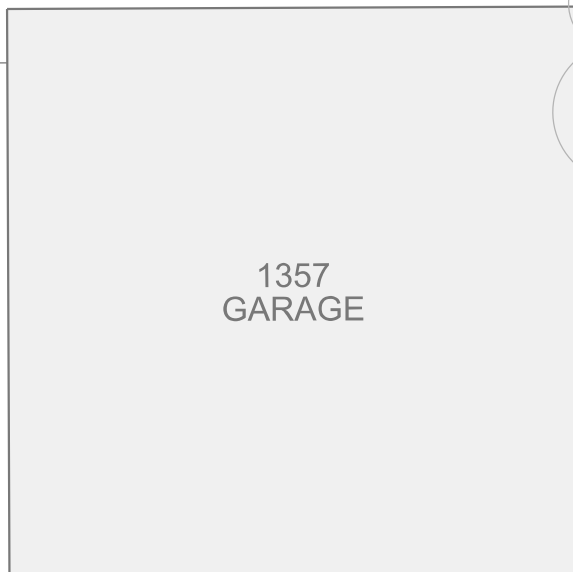
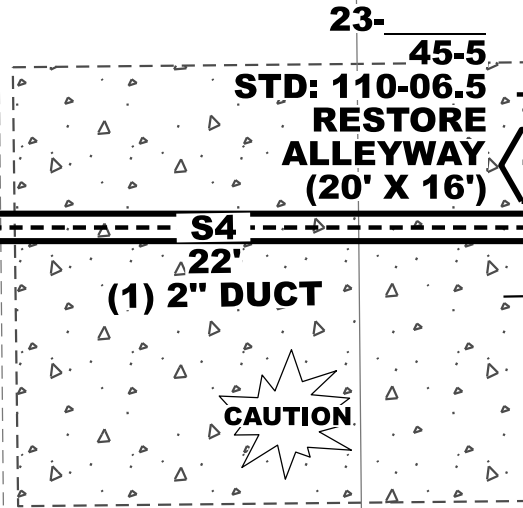


TEMPORARY EXHIBIT A

PARKING LOT TO BE COMPLETELY DEMO'D PRIOR TO CONSTRUCTION. CUSTOMER PREFERENCE TO FORGO SLURRY BACKFILL.

← S 76TH ST
216' TO W GREENFIELD AVE

12' Wide Easement Area



(NZT-1160544 100A) 25

30

(1) 2" DUCT

PUBLIC ALLEY

70-2335
50-5
SCRAP SERVICE DROP

PRIVATE ELECTRIC

PRIVATE ELECTRIC SERVICE TO BE REMOVED BY CUSTOMER