



Quote Number: CPQ-10862
 Revision: 6.0
 Model: Heavy Duty 3.5 Rear Loaders
 Capacity: 20 YDS
 Created: 10/20/2023
 Valid Until: 11/22/2023

BUYER

City Of West Allis Equipment Division
 6300 W Mcgeogh Ave
 West Allis, WI 53219
 USA

BILL TO

City Of West Allis Equipment Division
 6300 W Mcgeogh Ave
 West Allis, WI 53219
 USA

FINAL USER

(Delivery Location)
 City Of West Allis Equipment Division
 6300 W Mcgeogh Ave
 West Allis, WI 53219
 USA

PRICING QUOTATION

Total Configured Price	\$138,920
Surcharge	\$0
FET	\$0
Extended Warranties	\$2,243
Sales Tax	Not Included
Freight	\$1,003
Total Unit Price	\$142,166
Quantity	1
Total	\$142,166
Down Payment	\$0

- **Quote Discount:** Pricing includes all applicable discounts for quantity quoted. Change of quantity ordered may result in a revision of price.
- **Freight Charges:** Freight charge is estimated based upon fuel cost at the time of quotation. The charge is subject to change at the time of delivery. Shipping arrangements (when applicable) are made for the convenience of the Buyer. McNeilus Financial, Inc. d/b/a McNeilus Truck and Manufacturing ("Seller") assumes no responsibility for the equipment in transport.
- **Taxes:** No state or local taxes are included in the prices quoted herein. Any applicable state and local taxes must be added to these prices and paid directly by the Buyer.
- **Specifications:** All specifications are subject to change without notice. Several factors beyond the control of the chassis OEM or Seller may result in the substitution of components of equal or greater quality.
- **Special Options:** Special options are subject to Engineering application approval.
- **Terms & Conditions:** This quotation assumes and is subject to Seller standard Terms and Conditions of Sale, Including Limitations of Warranty.
- **Cancellation:** See Terms and Conditions referenced above.
- **Payment Terms:** Due Upon Receipt
- **Quotation Currency:** All prices are in USD
- **Delivery Terms:** FOB Destination, Freight Prepaid and Added. The Seller pays the freight charges but bills them to the Buyer.
- **Chassis Information:** Buyer supplied chassis must comply with SAE J2967 standards

ACCEPTANCE

This quotation is valid until 11/22/2023 . Any order is contingent upon acceptance by Seller. By signing and returning this document, you are indicating that you have read and approved the above pricing. Please return this signed quotation and down payment to your Seller representative. If you have any questions, please feel free to contact us.

This quote may be subject to the imposition of a surcharge based on the price increases on commodities. We will provide an exact amount of surcharge as soon as practicable.

Authorized Signature _____ Date _____

MCNEILUS TRUCK AND MANUFACTURING

524 EAST HIGHWAY STREET | POST OFFICE BOX 70 | DODGE CENTER, MN 55927 |



CHASSIS

Option Description	Option Selection
GVW Category	33,001 LBS OR GREATER
Corporate Contract	MUNICIPAL
Destination State/Country	MINNESOTA
Chassis Type	CUSTOMER CHASSIS
Chassis Make	CRANE CARRIER CO
Chassis Model	LET2
Steering Configuration	SS SEATED and CS STAND UP STEER
Fuel Type	DIESEL
Fuel System	DIESEL
Primary CNG Capacity	DIESEL
Chassis Model Year	2023
Packer Type	3.5YD TG HEAVY DUTY REARLOADER
Frame CNG Bracket Type	NO FRAME CNG SYSTEM SELECTED

Option Description	Option Selection
Engine	CUM ISL/ISC-AFTER 1/1/2017 EMI
Transmission	ALLISON 3000 RDS
Double Frame	TRUE
Cab Mirrors	AERO STYLE
Pump Drive	REMOTE CONSTANT MESH
Rear Suspension	HENDRICKSON HAULMAXX SPRING
Exhaust Location	LEFT HAND VERTICAL EXHAUST
Rear Tire Arrangement	DUAL TIRE TANDEM AXLE
Engine Horsepower	HORSEPOWER GREATER THAN 300
Transmission Oil Cooler	NO

BODY

Option Description	Option Selection
Capacity	20 YD REAR LOADER
Body Floor Thickness	AR200 3/16"
Roof	STANDARD ROOF
Side Access Door	SS DOOR HINGED FORWARD
Access Door Ladder	ANSI FOLD UP W/SHUTDOWN
Hyd Tube Front Cover	STD
End Cap Reinforcement	TRUE
Rear to Cab Buzzer	KEYPAD BOTH SIDES TG
Floor Build Location	DODGE CENTER
Model/Capacity	2016 REL 3.5HD

BODY OPTIONS

Option Description	Option Selection
Cab Control	IN DASH CONTROL SWITCHES
TG Hole Mounting Loc	UPPER HOLE
Power Dist Module Loc	FRONT OF BODY SS TOP-STANDARD
Load Edge	B-TYPE (STANDARD/BAYNE)
Hopper Liner	3/16" AR200 STD HOPPER
Tailgate Lock	TURNBUCKLE LOCK
Slide and Sweep Controls	CS and SS STANDARD LINKAGE
Tailgate Steps	16"-24" ADJUSTABLE HEIGHT STEP
Tailgate Seal	STANDARD HEIGHT
Packer/Sweep Panels	STANDARD
Nitrited S and S Pin	TRUE
Hopper Bottom	1/4" AR200 W/ CS 1.5" DRAIN
Tailgate Lift Cylinder	STANDARD
Hook Retaining Loop	STREETSIDE
Guides and Latches	NO
Plumb For Quick-Tip	NO
Remote Tailgate Lube	REMOTE TG LIFT,HINGE,S and S LUBE
S and S Dock Handle On CS	NO
Telematics	TRUE

HYDRAULICS

Option Description	Option Selection
Hydraulic Res Breather	FILLER/BREATHER ON RESERVOIR
Hyd Res Filler Cap	STANDARD FILLER CAP
Hyd Fluid Sample Port	CHECK FLUID KP14NV 90DEG
Hydraulic Fluid	ISO46-US OIL
Hydraulic Reservoir	INSIDE OF BODY MOUNTED STEEL
Hydraulic Pump	GEAR PUMP
Hydraulic Return Filter	SCHROEDER IN RESERVOIR
Ejector Cylinder	MAILHOT
Hyd Hose Wrap	CORDURA WRAP REQUIRED HOSES
Res Suction Shutoff Valve	RED HANDLE BALL VALVE
Valve on Res Return	NO VALVE ON RES RETURN
TG/Ejector VLV Location	STANDARD LOCATION FROM FOB
Slide and Sweep Cyl Make	ROSENBOOM

LIGHTING

Option Description	Option Selection
DOT Light Manufacturer	ECONOMY LED
Tailgate Camera Assist Lights	DUAL ECONOMY 5" ROUND LED
Mid-Body DOT Oval Light	OVAL AMBER TURN SIGNAL/MARKER
Tailgate Outer Corner Lights	4" AMBER TURN SIGNALS
Light/Harness Package	STANDARD LIGHT and HARNESS
Smart Lights	4" PETERSON TG, FRONT, TG SIDE (QTY 8)
Mid Body Work Lights	FDR MT RD ECON 5" LED
Hopper Work Lights	TWO ECONOMY 5" ROUND LED
Hopper Lt Switch On TG	KEYPAD CURB SIDE TG
DOT Reverse Lights	4" DUAL UPPER REVERSE LIGHTS
Mid Body Work Lt Switch	SINGLE SWITCH FOR BOTH LIGHTS

CAMERA

Option Description	Option Selection
Cab Camera	STREET SIDE MIRROR MOUNTCAMERA
Monitor Display In Rev	TG CAMERA
Camera/Monitor Make	SSV9" MON/DVR 6 PORT
Backup Camera	CENTER TG CYL SUPPORT BEAM
Monitor Mount	MOUNTED BETWEEN SEATS W/SWIVEL
CC Camera Qty	SSV9 Camera Qty 2

RESIDENTIAL OPTIONS

Option Description	Option Selection
Cart Tipper Location	CS and SS STANDARD GATE
Cart Tipper Type	MTM INSTALLED TIPPER
Cart Tipper Mount	FLUSH MOUNT
Cart Tipper Make	PERKINS D6220B-COMP BUSH
Cart Tipper Controls	CS and SS MANUAL LINKAGE
Tipper Mount Style	BOLTED



MISC BODY

Option Description	Option Selection
Limit Speed With Tailgate Open	NO
Backup Alarm	PRECO 1059 DUAL TONE-LWR LT BX
Shovel	ONE 11" PLASTIC
Shovel Holder Tailgate	EJECTOR MOUNT
Broom Holder Tailgate	PUSH BROOM HOLDER BOTH SIDES
Auto-Neutral	TRUE
In-Cab Ejection Control	TRUE
In-Cab Tailgate Control	MOMENTARY SWITCH
Battery Box Location	STREET SIDE FRAME MOUNTED

SAFETY

Option Description	Option Selection
Fire Extinguisher In Cab	5# ABC
Triangle Safety Kit	CUSTOMER INSTALLED IN CAB

PAINT

Option Description	Option Selection
CNG System Cover Color	NO ADDED CNG SYSTEM COVER COLOR
Paint Scheme	STANDARD PAINT TEMPLATE
Number Of Body Colors	QTY 1
Body Paint Category	1 COLOR, MEDIUM COMPLEXITY
Body Clear Coat	ANTI-GRAFFITI CLEAR COAT
Body Color 1 Description	Yellow
Body Color 1 Code	HST500647
Cab / Hood Paint	NO CAB PAINT
Wheel Paint	NO WHEEL PAINT
Decal Language	ANSI COMPLIANT ENGLISH
Undercoating	VG104 UNDERCOATING ON BODY
Conspicuity Tape	TRUE
Access Ladder Color	MATCH BODY COLOR

AXLE

Option Description	Option Selection
Pusher Axle Quantity	0
Pusher Tire	NO PUSHER SELECTED
Pusher Lift Control	NO PUSHER AXLE IN ORDER
Tag Lift Control	NO TAG AXLE IN ORDER

MCNEILUS TRUCK AND MANUFACTURING

524 EAST HIGHWAY STREET | POST OFFICE BOX 70 | DODGE CENTER, MN 55927 |



Quote Number: CPQ-10862
Revision: 6 0

Special Features and Options:

REF-NPO-12716 Pinnacle tandem axle
fenders - parts from Lyndon + Franzen's labor
to install

Extended Warranties:

1317396 WARRANTY - BODY RLXC, 2YR

Options Available at Additional Cost (not included in quoted price):

Additional Notes:

Our Sourcewell contract is 091219-MCN



Truce Truck Sales Inc.
8636R West National Avenue
West Allis, WI 53227

QUOTATION

Quote Number: 2023-8838
Quote Date: Oct 13, 2023
Page: 1

Voice: 414-541-5700
Fax: 414-543-9797

Accepted By: _____
Sign above to accept quotation and place order

Quoted To:

CITY OF WEST ALLIS
PURCHASING DIVISION
7525 WEST GREENFIELD AVENUE
WEST ALLIS, WI 53214
USA



Your Midwest Battle Motors Dealer


Customer Fax: 414-302-8889

Customer ID	Good Thru	Payment Terms	Sales Rep
WEST ALLIS	11/12/23	DUE ON DELIVERY	JAS

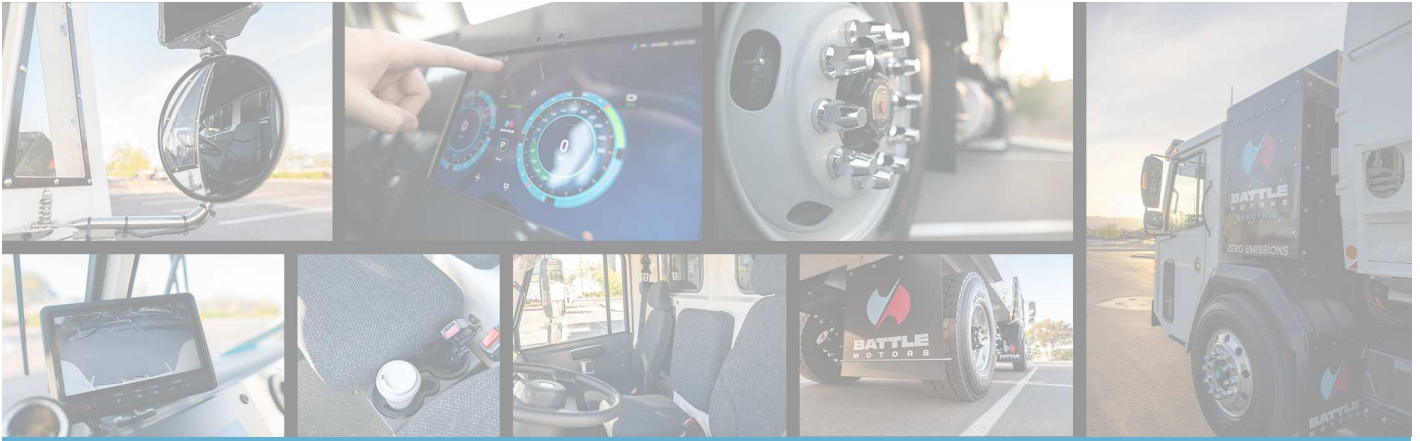
Quantity	Item	Description	Unit Price	Amount
1.00	BM CHASSIS	TRUCK CHASSIS Battle Motors LET2-46 Refuse Truck Chassis - Per the attached specifications - Completed unit to be brought to our location for final chassis PDI and delivery. - Install Snow Plow Hitch with Electric Controlled Power Unit for Snow Plow. PIN and Loop Style Hitch	205,860.00	205,860.00
1.00	TITLE FEE	Wisconsin Municipal License Plate and Registration - Shipped to Mc Neilus in Dodge Center, MN - Due when unit ships to McNeilus - Final Delivery will be coordinated between TTS & McNeilus to the City of West Allis	169.50	169.50

Thank you for the opportunity to quote

SUBMITTED BY


Steven D. Krall
President

Subtotal	206,029.50
Sales Tax	
Freight	
TOTAL	206,029.50



2024 LET2 - WEST ALLIS, WI REAR LOADER PROPOSAL



BATTLE
M O T O R S

Date

10/13/2023

Quote Information

202310101919-42D6

2024 Sales LET2-46 Mid WR (Rear Loader)

Qty: 1

Prepared For

City of West Allis

6300 West McGeogh

West Allis, WI 53219

Brett 414-302-8810 brett does not want it shared

Prepared By

Steve Krall

steve.krall@rnow-inc.com

R.N.O.W., Inc.

Shipping Destination: Dodge Center, MN (Mc Neilus)

**2024 LET2 - WEST ALLIS, WI REAR LOADER PROPOSAL**

MODEL		DESCRIPTION
9999-CUSTOM-139414	FUEL TYPE	DIESEL
9999-CUSTOM-143082	BODY APPLICATION	MCNEILUS REAR LOADER, 20 CY
9999-CUSTOM-142671	SURFACE	OPERATES IN LANDFILL
9999-CUSTOM-83335	PRODUCT AVAILABILITY	ORDER MAJOR COMPONENTS - LEAD TIME / AVAILABILITY
9999-CUSTOM-83099	CARB/EPA	EPA / NON-CARB
9999-CUSTOM-83023	FRAME - WHEELBASE	158 WHEELBASE
9999-CUSTOM-83058	FRAME SILLS	SINGLE SILL
9999-CUSTOM-142335	FRAME SILL LENGTH	25' FRAME SILLS
9999-CUSTOM-82526	CAB STYLE	LET2 STANDARD CAB WITH EXTERIOR SUNVISOR
9999-CUSTOM-83095	CAB / DOORS	LET2 STANDARD CAB, W/ VISOR, LH ER / RH F/F SLIDING DOORS
9999-CUSTOM-82516	DRIVE TYPE	DUAL DRIVE, RH STAND-UP
9999-CUSTOM-83079	ENGINE MODEL	CUMMINS L9, LET2
9999-CUSTOM-83085	TRANSMISSION MODEL	ALLISON 4500RDS, LET2
1000-3227	ENGINE	CUMMINS 2022 L9, 350 HP, A/C, 4500RDS TRANSMISSION, W/O ENGINE BRAKE, LET2
1007-1147	TRANSMISSION	TRANSMISSION ALLISON 4500RDS, L9, TC-521, NON-RETARDER
9999-CUSTOM-83067	REAR SUSPENSION MODEL	PRIMAAX 462 AIR RIDE - HENDRICKSON PRIMAAX 46,000 LBS RATED
9999-CUSTOM-83049	REAR DRIVE AXLE MODEL	D46-170 - REAR DRIVE AXLE
1200A-0227	REAR DRIVE AXLE	REAR AXLE, D46-170HP, 16.5 X 8.62, 6.14, STD DIFF, PRIMAAX TANDEM
1500-5530	FRAME	FRAME ASSEMBLY, 158 WB, 25' SGL SILLS, PRIMAAX 462, LET2
2102-0132	ABS SYSTEM	ABS SYSTEM, BENDIX 4S/4M, 500K BAUD

**2024 LET2 - WEST ALLIS, WI REAR LOADER PROPOSAL**

CHASSIS		DESCRIPTION
9999-CUSTOM-142363	ENGINE PTO ADAPTER	1350/1410 FEPTO ADAPTER
1201-1592	REAR SUSPENSION	HENDRICKSON PRIMAAX PAX-462, DSH44P W/DISC BRKS
2000-4813	DECALS - CHASSIS EXTERIOR	DECALS, EXTERIOR, DIESEL, TRANSYND
2003-0614	HVAC - CHASSIS	HVAC, LET2 STD CAB, L9/L9N, AURORA NON-BLENDING
2201-0119	WINDSHIELD WIPERS	WINDSHIELD WIPERS, DUAL DRIVE
1010-1222	AIR CLEANER	AIR CLEANER, CUMMINS L9, CUMMINS OPTI-AIR, LET2
2103-0293	ELECTRICAL, ENGINE	ELECTRICAL, ENGINE, CUMMINS L9, 500K BAUD
1006-1124	ENGINE MOUNTING	ENGINE MOUNTING, CUMMINS L9/L9N, SINGLE SILLS, 4500RDS
1802-0076	CAB MOUNTING	CAB MOUNTING - LET2 STANDARD CAB
1502-0577	FRAME - FRONT EXTENSION	FRONT FRAME EXTENSION, SWEEP WING, LET2
1503-2963	OVER ENGINE CROSSMEMBER	OVER ENGINE CROSSMEMBER, OFFSET RH SIDE RADIATOR, LET2
2100-3347	ELECTRICAL, BASE, CHASSIS	ELECTRICAL, BASE, CHASSIS, 500K BUAD, DIESEL/CNG
2502-0829	AUTO NEUTRAL - CHASSIS	AIR PPG ASSY: AG AUTO NEUTRAL, DUAL DR., LET2
1908-0095	AIR PIPING, REAR AXLE	AIR PIPING, CHASSIS, PRIMAAX TANDEM, LET2
1402-0629	POWER STEERING RESERVOIR	POWER STEERING RESERVOIR, 4 QT, 2021 L9/L9N, TRW PUMP, LET2
1401-0331	STEERING COLUMN CHASSIS (LH)	STEERING COLUMN, CHASSIS - LET2, LHD, TILT, W/CRUISE, 18" WHEEL
1401-0334	STEERING COLUMN CHASSIS (RH)	STEERING COLUMN, CAB - LET2, RHD, TILT, W/CRUISE, 16" WHEEL
1400-0715	STEERING GEAR	STEERING GEAR, XD-120, RH/DUAL DRIVE, STANDARD CAB, LET2
2501-1525	TRANSMISSION OIL PIPING	TRANSMISSION PIPING-L9/L9N/X12, 3000RDS/4000RDS

OPTIONS, CHASSIS		DESCRIPTION
1100A-0057	FRONT STEER AXLE	FRONT STEER AXLE, D2000F, STD TRK, 24" CMBR, <190' WB, 16.5 X 7 ES 1100 BRAKES
1101-0638	FRONT SUSPENSION	FRONT SUSPENSION, D2000F, (4) TAPER LEAF, STD SHOCKS
2000-4734	LUBE, REAR DRIVE AXLE	LUBE, REAR AXLE, STANDARD, D46-170P AXLE 85W-140

**2024 LET2 - WEST ALLIS, WI REAR LOADER PROPOSAL**

OPTIONS, CHASSIS		DESCRIPTION
1003A-0049	DEF TANK	DEF TANK, MTD RH BEHIND FENDER, RH 32/38, B6.7/L9
1003-0971	FUEL TANK	DIESEL FUEL TANK, SINGLE 80 GAL ROUND, ALUMINUM, W/O DRAIN
2503-0845	FUEL PIPING / FILTER	FUEL PIPING, L9, F.T. RH 56/80, DEF TANK RH, LET2
2101-0645	BATTERY BOX	BATTERY BOX, (3) 950 CCA BATTERIES, W/ DISCONNECT SWITCH, PLASTIC COVER
1503-2973	BATTERY BOX SPACERS	BATTERY BOX & FUEL TANK SPACERS, LOWERS 12.5" BELOW TOP OF FRAME, SPACES F.T. OUT 3.5", MCNEILUS RL
2000-4831	ELECTRICAL, BATTERY CABLES	BATTERY/ALT CABLES, L9/L9N/ISX12N, BATT BOX LH 32/44, DISC SWITCH
2100-2983	ELECTRICAL, POWER FEED HARNESS	ELECTRICAL, POWER FEED, L9/X12, LH UP TO STA. 50
1010A-0052	AIR CLEANER STACK	AIR CLEANER STACK, W/O PRECLNR, LET2
1004A-0053	EXHAUST STACK	FLARED ELBOW EXHAUST STACK, STAINLESS STEEL, 36" LONG
2100-3361	ENGINE, ALTERNATOR	ALTERNATOR, DELCO 55 SI, 12V, 430 AMP, L9/L9N/ISX12N
2000-4701	ENGINE, DIPSTICK/OIL FILL	ENGINE DIPSTICK MTG ONLY, L9/L9N
162X-0494	ENGINE PROGRAMMING PARAMETERS	ENGINE PRGM-B6.7/L9, A/C, NO IDLE SHUTDOWN, 1450 RPM TA, 65 MPH
2502-0798	AIR DRYER	AIR DRYER, BENDIX, AD-IP
1910-0563	AIR PIPING, AIR DRYER	AIR PPG, LET L9 AD-9/EP RH STA. 92 REAR
2502-0829-CAB	AUTO NEUTRAL	AG, AUTO NEUTRAL, DUAL DRIVE, LET2
2100-3338	ELECTRICAL, TCM	TCM-ALLISON, 4500RDS, DUAL DRIVE, TC521, 6 SPD, 145 AG, L9
1502-0634	FRONT BUMPER	FRONT BUMPER, 1 PC SWEEP WING, CAB MUD GUARDS, CENTER COVER
1801-0591	FENDERS, FRONT	FENDER, FRONT - BLACK PLASTIC, LET2
1600-5201	PROPSHAFT	PROPSHAFT ASSY - 158"WB/L9/4500RDS/D46/HMX/LET2
1503-2856	AIR PIPING, FRAME SUPPORTS	FRAME AIR PIPING SUPPORTS, <190" WB, TANDEM AXLE, SINGE SILLS

2024 LET2 - WEST ALLIS, WI REAR LOADER PROPOSAL

OPTIONS, CHASSIS		DESCRIPTION
1906-0884	AIR PIPING, FRAME	FRAME AIR PPG, LET ICE (3) TANKS UNDER FRAME SILL
1904-0073	AIR PIPING, OPTIONAL AUTOMATIC DRAIN VALVES	BENDIX HEATED DV-2 AUTOMATIC DRAIN VALVE @ WET TANK ONLY
1906-0434	AIR PIPING, OPTIONAL CHARGE VALVE	SCHRADER CHARGE VALVE @ AIR DRYER
2100-3008	AIR SUSPENION OVERRIDE	AIR SUSPENSION DUMP VALVE WITH, IN DASH CONTROLS
2000-4582	AIR HORN, CHASSIS	AIR HORN, DUAL TONE, UNDER CAB
2000-2215	BACK-UP ALARM	BACK-UP ALARM, ECCO 575, 107DB
2-515-4787-0070	TIRES/WHEELS - FRONT STEER AXLE	COOPER SEVERE SERIES MSA, 315/80R22.5, 20/L, ACCURIDE, STEEL, PC WHITE 5.25" INSET
8-515-7316-0124	TIRES/WHEELS - DRIVE AXLE	COOPER RHA 11R22.5 16/H ACCURIDE, STEEL, WHITE
2501-1541	OIL PIPING, CAB TILT	CAB TILT, LET2, ELEC PUMP, ELEC. FAN, NO PLOW
1005-1883	ENGINE COOLING	RADIATOR; CUMMINS 2021 L9, OFFSET RADIATOR LET2
2500-0126	ENGINE COOLING, OPTIONS	REMOTE COOLANT FILL, RH FENDER MOUNTED
1004-2077	EXHAUST	EXHAUST, 2021 CUMMINS L9, 260-350 HP, LET2 OFFSET RAD.
9999-CUSTOM-140340	TRAILER BRAKES	NO OPTION - TRACTOR PROTECTION VALVE

CAB	DESCRIPTION
9999-CUSTOM-143240	DASH LAYOUT STANDARD DASH LAYOUT
1800-1894-CAB	CAB MODEL CAB ASSY, GREEN GLASS, NO ROOF VENTS, W/VISOR, LET2
1809-0175-CAB	CAB - OVERHEAD CONSOLE / RADIO OVERHEAD CONSOLE, DUAL DRIVE, MTD LH SIDE AM/FM/BLUETOOTH/HANDS FREE RADIO, HVAC CONTROLS, LET2
1809-0167-CAB	CAB - FLOOR GRIP TAPE FLOOR GRIP TAPE INSTALLATION, LET2
1001-0960-CAB	CAB - ACCELERATOR PEDAL ACCELERATOR PEDAL, CUMMINS, DUAL DRIVE
2100-3347-CAB	CAB - BASE ELECTRICAL ELECTRICAL, BASE, 500K BUAD, AUTOCRAFT HEADLIGHT
1810-0017-CAB	CAB - MODIFICATION (RH DOOR) CAB MODIFICATION, RH FOLD UP DOOR HINGE DRILLING

**2024 LET2 - WEST ALLIS, WI REAR LOADER PROPOSAL**

CAB		DESCRIPTION
2000-4561-CAB	CAB - GRAB HANDLES (LH)	LH GRAB HANDLE BLACK OUTSIDE, STANDARD DOORS
9999-CUSTOM-82823	CAB, ELEC - DOOR WINDOWS - SWITCH COUNT	DUAL DRIVE, LH E/R, RH F/F
2100-3350-CAB	CAB, ELECTRICAL - DOOR WINDOWS	CAB, ELECTRICAL, POWER WINDOWS, 2 SWITCHES
2000-4582-CAB	CAB - AIR HORN	AIR HORN, DUAL TONE, UNDER CAB
1908-0095-CAB	CAB AIR PIPING, REAR AXLE	AIR PIPING, CAB, PRIMAAX TANDEM, 4S/4M, LET2
2000-4809-CAB	DECALS - CAB INTERIOR	DECALS, INTERIOR, DUAL DRIVE, DIESEL
1810-0044-CAB	CAB - MISC COMPONENTS	CAB MODIF - LET2 COMPONENTS, LH STEEL PANEL

OPTIONS, CAB		DESCRIPTION
1803-0087-CAB	CAB - DOOR (LH)	STANDARD DOOR, LH
1804-0083-CAB	CAB - DOOR (RH)	DOOR, RH FLIP-UP/FOLD-BACK
2000-4027-CAB	CAB - DOOR SAFETY BELT	DOOR SAFETY STRAP, SINGLE DOOR, ORANGE RETRACTABLE BELT
2000-3280-CAB	CAB - FLOOR GRATING (LH)	FLOOR GRATING, LEFT SIDE FLOOR GRATE
2000-2104-CAB	CAB - FLOOR GRATING (RH)	FLOOR GRATING, RIGHT SIDE FLOOR GRATE
1806-1319-CAB	CAB - MIRROR (LH)	REMOTE CONTROLLED SPLIT LENS MIRROR, RH STANDARD DOOR, 19 X 8 HEATED/MOTORIZED/LIGHT, DUAL CONTROLS, LUCERIX
1808-0107-CAB	CAB - MIRROR (RH)	REMOTE CONTROLLED SPLIT LENS MIRROR, RH FU/FB DOOR, 19 X 8 HEATED/MOTORIZED/LIGHT, LUCERIX
1806-1331-CAB	CAB - MIRROR, SPOT	MIRROR, SPOT - (1) LH / (1) RH BOTTOM MIRROR ARM, 7X8 RECTANGULAR, BLACK PLASTIC, HEATED
1401-0331-CAB	STEERING COLUMN CAB (LH)	STRG COLUMN ASSY - LET2, LHD, TILT, W/CRUISE, 18" WHEEL
1401-0334-CAB	STEERING COLUMN CAB (RH)	STEERING COLUMN, CAB - LET2, RHD, TILT, W/CRUISE, 16" WHEEL

2024 LET2 - WEST ALLIS, WI REAR LOADER PROPOSAL

OPTIONS, CAB		DESCRIPTION
9999-CUSTOM-82609	RADIO OPTION - AM/FM/BLUETOOTH/HANDS FREE	RADIO - MOUNTED ON LH SIDE CAB, AM/FM/MP3/USB/BLUETOOTH/HANDS FREE
2003-0614-CAB	HVAC - CAB	HVAC, LET2 STD CAB, L9/L9N, AURORA NON-BLENDING
2100-3405-CAB	CAB, ELECTRICAL - IGNITION	CAB, IGNITION (6) KEYS D250, STD/BI-FOLD DOOR C250
2202-0050-CAB	CAB - DASH/INSTRUMENTATION	ANALOG GAUGES, DUAL DRIVE, RH FULL, DIESEL, MPH, LET2
2100-3364-CAB	CAB - FLASHER OPTIONS	4-WAY FLASHERS ON WHEN AG AUTO NEUTRAL ACTIVE
2100-3391-CAB	CAB - LIGHTING OPTIONS	ELECTRICAL, PTO SWITCH & LIGHT, LET2
2100-3384-CAB	CAB - LIGHTING OPTIONS	ELEC ASSY: ROOF MTD PLOW LTS/STROB LT, 2019 LET2
2100-3383-CAB	CAB - 12V POWER OPTIONS	(2) ADDITIONAL ACCESSORY SWITCHES IN DASH
1907-0461-CAB	CAB - AIR PIPING	CAB AIR PIPING, DUAL DRIVE, RH STAND-UP SEATING, NO FOOTREST, LET2/LET2CC
1810-0061-CAB	CAB GRILLE	BATTLE GRILLE, SMOOTH FLAT BLACK

OPTIONS, CAB SEATS		DESCRIPTION
9999-CUSTOM-82615	CAB - SEAT MATERIAL	SEAT - BLACK VINYL
2001-0490-CAB	CAB - SEATS (LH)	SEAT AIR RIDE, SEARS C2, BLACK VINYL, LH, LET2
2011-0286-CAB	CAB - SEATS (RH)	SEAT FLIP-UP/FOLD-DOWN, BLACK VINYL, RH, LET2
2000-4771-CAB	CAB - SEAT BELTS (LH)	SEAT BELT, BLACK, LH SIDE, AIR RIDE SEAT, LET2
2000-4859-CAB	CAB - SEAT BELTS (RH)	SEAT BELT, BLACK, RH SIDE, FIXED SEAT, LET2

PAINT		DESCRIPTION
356-0322	PAINT, CAB	PAINT, CAB, STANDARD WHITE, G2-3460715-A
356-0323	PAINT, CHASSIS	PAINT, CHASSIS, STANDARD BLACK, G2-2B1738
356-0329	PAINT, BUMPER	PAINT, BUMPER - STANDARD BLACK, G2-2B1738



2024 LET2 - WEST ALLIS, WI REAR LOADER PROPOSAL

WARRANTY		DESCRIPTION
306A-0001	WARRANTY, CHASSIS	WARRANTY, CHASSIS, STANDARD, 1 YEAR, COVERAGE
306A-0041	WARRANTY, ENGINE	WARRANTY, CUMMINS STANDARD, 2 YEAR
306A-0013	WARRANTY, TRANSMISSION	WARRANTY, ALLISION, 3 YR EDGE II PARTNER STANDARD
306A-0022	WARRANTY, DRIVE AXLE	WARRANTY, STANDARD 2 YEAR

CUSTOM OPTIONS		DESCRIPTION
1906-0810	CUSTOM OPTIONS	AIR SUSPENSION LOAD BAG DUMP VALVE



2024 LET2 - WEST ALLIS, WI REAR LOADER PROPOSAL

VEHICLE SPECIFICATION SUMMARY	UNIT	DESCRIPTION
MODEL		SALES LET2-46 MID WR (REAR LOADER)
ENGINE		CUMMINS 2022 L9, 350 HP, A/C, 4500RDS TRANSMISSION, W/O ENGINE BRAKE, LET2
PEAK POWER	HP	350
PEAK TORQUE	NM	1050 @ 1200
TRANSMISSION		TRANSMISSION ALLISON 4500RDS, L9, TC-521, NON-RETARDER

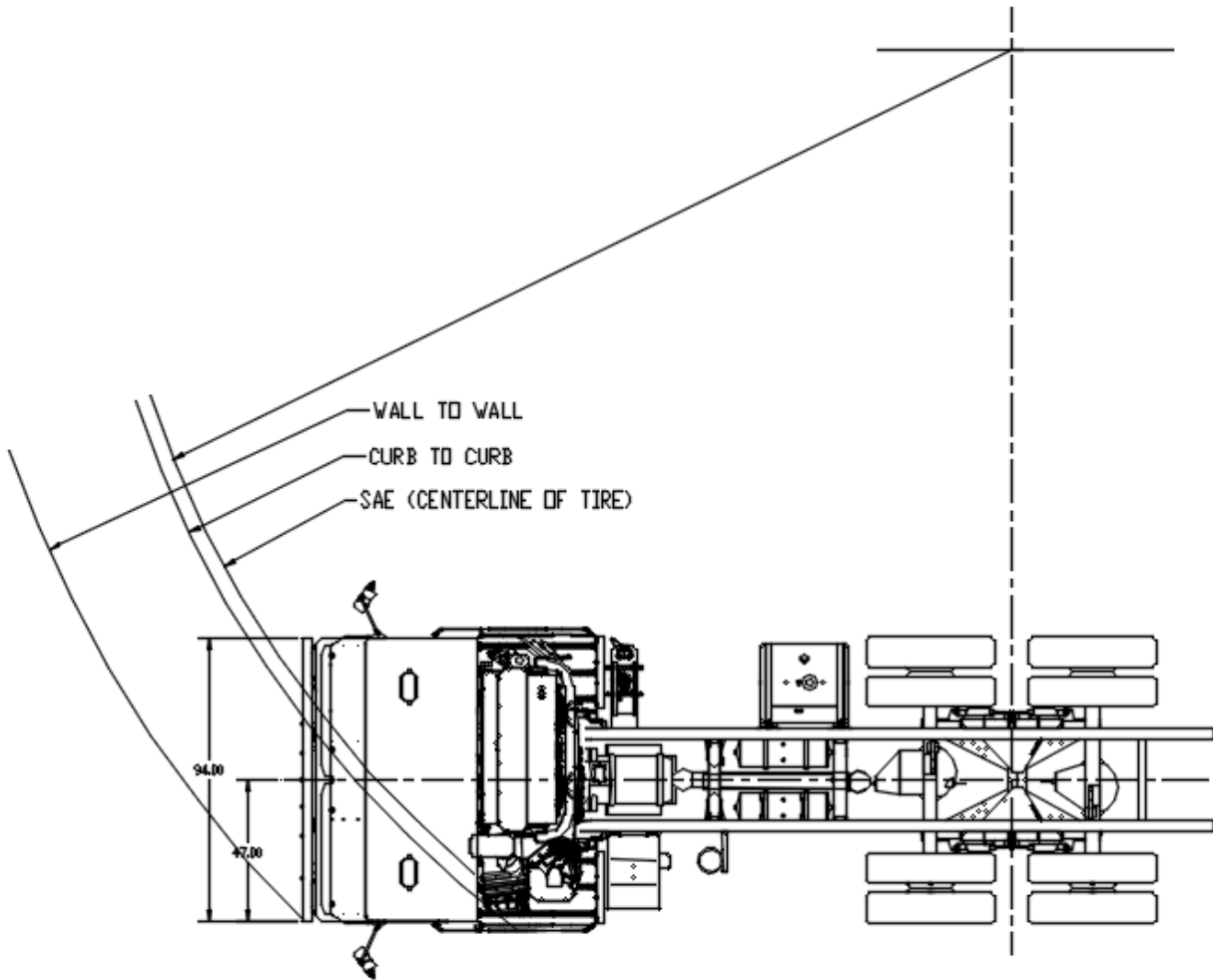


2024 LET2 - WEST ALLIS, WI REAR LOADER PROPOSAL

AXLE POSITION	AXLE MODEL	AXLE/SUSP RATING (LBS)	SINGLE OR DUAL	WHEEL SIZE AND RATING (SIZE / LOAD @ PRESSURE)	TIRE SIZE AND RATING** (SIZE / LOAD @ PRESSURE / SPEED)	GAWR (LOAD @ PRESSURE / SPEED)
FRONT	D2000F	20,000	S	22.5 X 9.00 / 10,000 @ 130	315/80R22.5L/20 / 10,000 @ 130 / 68	20,000 @ 130 / 68
1ST INTERMEDIATE	D46-170HP	23,000	D	22.5 X 8.25 / 8,000 @ 120	11R22.5H/16 / 6,005 @ 120 / 75	23,000 @ 120 / 75
2ND INTERMEDIATE						
3RD INTERMEDIATE						
LAST	R46-170H	23,000	D	22.5 X 8.25 / 8,000 @ 120	11R22.5H/16 / 6,005 @ 120 / 75	23,000 @ 120 / 75
DRIVETRAIN GVWR (LBS)						66,000
ENGINE APPLICATION GVWR (LBS)						66,000
TRANSMISSION APPLICATION GVWR (LBS)						80,000
TRUCK GVWR (LBS)						66,000

2024 LET2 - WEST ALLIS, WI REAR LOADER PROPOSAL

COMPONENT	LOCATION
DIESEL FUEL TANK	RH STA. 56/80
DEF TANK	RH STA. 32/38
BATTERY CABLES	LH STA. 32/44
AIR DRYER	RH STA. 92 / REAR
AIR TANKS DRILLING	-
AIR TANKS	UNDER FRAME (3) 32"
LIFT AXLE AIR TANKS	-


ESTIMATED VEHICLE TURNABILITY - TURN RADIUS (FEET) (+/- 5%)

SAE - TIRE CENTERLINE TO TIRE CENTERLINE (FT)	29
CURB-TO-CURB (FT)	30



2024 LET2 - WEST ALLIS, WI REAR LOADER PROPOSAL

ESTIMATED VEHICLE WEIGHT DISTRIBUTION (LBS) - FULLY WET WITH 200# DRIVER (+/- 5%)

FRONT AXLE GROUND LOAD (LBS)	11,675
REAR AXLE GROUND LOAD (LBS)	6,165
TOTAL VEHICLE WEIGHT (LBS)	17,840

FRAME MEASUREMENT	VALUE	UNIT
CA/CT (CAB-TO-AXLE)	134	INCHES
AF (AFTER FRAME)	70	INCHES



2024 LET2 - WEST ALLIS, WI REAR LOADER PROPOSAL

LOCATION	SELECTION
BATTERY BOX	PC BLACK
BUMPER	STANDARD BLACK
CAB	STANDARD WHITE
CAB CLEAR COAT	N/A
CAB STRIPES	N/A
CAB WINDSHIELD GUARD	N/A
CHASSIS	STANDARD BLACK
FRONT WHEELS	PC WHITE
FUEL TANK	BRUSHED ALUMINUM
REAR WHEELS	PC WHITE



2024 LET2 - WEST ALLIS, WI REAR LOADER PROPOSAL

CHANGE POLICY

Outside 12 weeks

Changes will be considered on a case-by-case basis outside of 12 weeks. All approved and accepted changes will be charged a \$250 fee per change.

Inside 12 weeks

Changes on non-major components will be considered on a case-by-case basis inside 12 weeks. All approved and accepted changes will be charged a \$250 fee per change.

No major component changes or chassis swaps will be accepted inside of 12 weeks. Major components include, but are not limited to, frame rails, cabs, engines, transmissions, axles, and suspensions

Inside 10 weeks

No changes or swaps will be accepted inside 10 weeks.

CANCELLATION POLICY

Chassis Orders Inside 12 weeks

Cancellations will be considered on a case-by-case basis inside of 12 weeks. All approved and accepted cancellations will be charged a \$5,000 fee per truck

Chassis Orders Inside 10 weeks

No cancellations of chassis orders will be accepted inside 10 weeks.

Custom Chassis and Uniquely Specified Trucks Inside 12 weeks

No cancellations of custom chassis and uniquely specified orders will be accepted inside 12 weeks. A deposit of up to 25% may be required with a guaranteed purchase order for custom chassis.

All change and cancellation fees shall be automatically debited, via electronic means, through Automated Clearing House (ACH) transfers from the Customer directly to the Company in United States currency within fifteen (15) days of change or cancellation.