



**HV613**

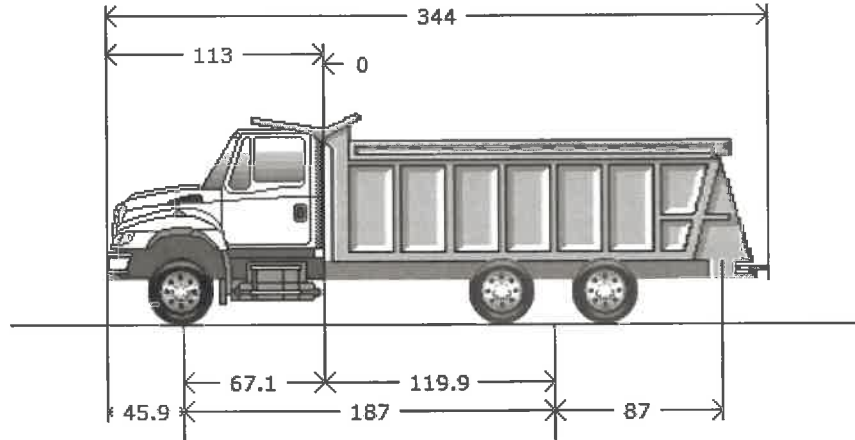
**Sales Proposal For:**  
**CITY OF WEST ALLIS**

**Presented By:**  
**LAKESIDE INTL, LLC**

**Prepared For:**  
CITY OF WEST ALLIS  
Gene Baietto  
7525 W GREENFIELD AVE  
WEST ALLIS, WI 53214-  
(414)302 - 8300  
Reference ID: N/A

**Presented By:**  
LAKESIDE INTL, LLC  
Robert C Eckman  
11000 W SILVER SPRING RD  
MILWAUKEE WI 53225 -  
(414)353-4800

Thank you for the opportunity to provide you with the following quotation on a new International truck. I am sure the following detailed specification will meet your operational requirements, and I look forward to serving your business needs.



**Model Profile**  
**2019 HV613 (HV613)**

<b>AXLE CONFIG:</b>	6X4
<b>APPLICATION:</b>	Construction Dump
<b>MISSION:</b>	Requested GVWR: 58000. Calc. GVWR: 64000 Calc. Start / Grade Ability: 0.00% / 0.00% @ 0 MPH Calc. Geared Speed: N/A
<b>DIMENSION:</b>	Wheelbase: 187.00, CA: 119.90, Axle to Frame: 87.00
<b>ENGINE, DIESEL:</b>	{International A26} EPA 2017, 390HP @ 1700 RPM, 1450 lb-ft Torque @ 1000 RPM, 2100 RPM Governed Speed, 390 Peak HP (Max)
<b>TRANSMISSION, AUTOMATIC:</b>	{Allison 4500 RDS} 5th Generation Controls, Wide Ratio, 5-Speed with Overdrive, with PTO Provision, Less Retarder, Includes Oil Level Sensor, On/Off Highway
<b>CLUTCH:</b>	Omit Item (Clutch & Control)
<b>AXLE, FRONT NON-DRIVING:</b>	{Meritor MFS-18-133A} Wide Track, I-Beam Type, 18,000-lb Capacity
<b>AXLE, REAR, TANDEM:</b>	{Meritor RT-46-164EH} Single Reduction, Standard Width, 46,000-lb Capacity, Driver Controlled Locking Differential in Forward-Rear and Rear-Rear Axle, 200 Wheel Ends Gear Ratio: 4.30
<b>CAB:</b>	Conventional
<b>TIRE, FRONT:</b>	(2) 315/80R22.5 Load Range L CITY SERVICE HA3 (CONTINENTAL), 480 rev/mile, 68 MPH, All-Position
<b>TIRE, REAR:</b>	(8) 11R22.5 Load Range H HDR2 (CONTINENTAL), 491 rev/mile, 75 MPH, Drive
<b>SUSPENSION, REAR, TANDEM:</b>	{Chalmers 854-46H} Walking Beam Type, with Rubber Spring, 54" Axle Spacing; 46,000-lb Capacity, with Standard Restrictor Cans, (8) Torque Rods, Less Shocks
<b>PAINT:</b>	Cab schematic 100WN Location 1: 9219, Winter White (Std) Chassis schematic N/A

<u>Code</u>	<u>Description</u>	<u>F/R Wt</u> (lbs)	<u>Tot Wt</u> (lbs)
HV61300	Base Chassis, Model HV613 with 187.00 Wheelbase, 119.90 CA, and 87.00 Axle to Frame.	8297/4292	12589
1570	TOW HOOK, FRONT (2) Frame Mounted	8/0	8
1AND	AXLE CONFIGURATION 6x4	0/0	0
	<u>Includes</u> : DRIVESHAFT 1810 Series Transmission to Rear Axle : INNER-AXLE SHAFT 1710 Series Forward Rear Axle to Rear Rear Axle		
	<u>Notes</u> : Pricing may change if axle configuration is changed.		
1CAJ	FRAME RAILS Heat Treated Alloy Steel (120,000 PSI Yield); 10.866" x 3.622" x 0.433" (276.0mm x 92.0mm x 11.1mm); 456.0" (11582mm) Maximum OAL	139/469	608
1LNR	BUMPER, FRONT Steel, Swept Back; Painted 0001 Canyon Black	0/0	0
1WDS	FRAME EXTENSION, FRONT Integral; 20" In Front of Grille	141/-36	105
1WHP	WHEELBASE RANGE 183" (465cm) Through and Including 248" (630cm)	0/0	0
2ARZ	AXLE, FRONT NON-DRIVING {Meritor MFS-18-133A} Wide Track, I-Beam Type, 18,000-lb Capacity	186/0	186
3ADG	SUSPENSION, FRONT, SPRING Parabolic, Taper Leaf; 18,000-lb Capacity; with Shock Absorbers	133/0	133
4091	BRAKE SYSTEM, AIR Dual System for Straight Truck Applications	0/0	0
4193	BRAKES, FRONT, AIR CAM 16.5" x 6", Includes 24 SqIn Long Stroke Brake Chambers	39/0	39
4732	DRAIN VALVE {Berg} with Pull Chain, for Air Tank	0/0	0
4AZA	AIR BRAKE ABS {Bendix AntiLock Brake System} Full Vehicle Wheel Control System (4-Channel)	0/0	0
4EBD	AIR DRYER {Meritor Wabco System Saver 1200} with Heater	11/7	18
4EXU	BRAKE CHAMBERS, REAR AXLE {Bendix EverSure} 30/30 Spring Brake	0/0	0
4EXV	BRAKE CHAMBERS, FRONT AXLE {Bendix} 24 SqIn	2/0	2
4NDB	BRAKES, REAR, AIR CAM S-Cam; 16.5" x 7.0"; Includes 30/30 Sq.In. Long Stroke Brake Chamber and Spring Actuated Parking Brake	0/0	0
4SPM	AIR COMPRESSOR {Bendix BA-921 Head Unload} 15.9 CFM Capacity, Single Cylinder	0/0	0
4VCL	AIR TANK LOCATION (2) Mounted 25" Back of Cab, Outside Right Rail, with Ground Clearance	0/0	0
4VKA	AIR DRYER LOCATION Mounted Outside Right Rail, Back of Cab	0/0	0
5708	STEERING COLUMN Tilting	0/0	0
5CAW	STEERING WHEEL 4-Spoke; 18" Dia., Black	0/0	0
5PTB	STEERING GEAR (2) {Sheppard M100/M80} Dual Power	119/0	119
7BEU	AFTERTREATMENT COVER Aluminum	0/0	0

<u>Code</u>	<u>Description</u>	<u>F/R Wt</u> (lbs)	<u>Tot Wt</u> (lbs)
7BKS	EXHAUST SYSTEM Single Horizontal Aftertreatment Device, Frame Mounted Right Side Under Cab; for Single Vertical Tail Pipe, Frame Mounted Right Side Back of Cab	54/23	77
7WBA	TAIL PIPE (1) Turnback Type, Bright, for Single Exhaust	0/0	0
7WBS	MUFFLER/TAIL PIPE GUARD (1) Bright Stainless Steel	0/0	0
7WCR	EXHAUST HEIGHT 10' 11"	2/0	2
8000	ELECTRICAL SYSTEM 12-Volt, Standard Equipment	0/0	0
8541	HORN, ELECTRIC (2) Disc Style	0/0	0
8718	POWER SOURCE Cigar Type Receptacle without Plug and Cord	1/0	1
8GGG	ALTERNATOR {Delco Remy 36SI} Brushless, 12 Volt 165 Amp. Capacity, Pad Mount, with Remote Voltage Sensor	6/0	6
8HAU	BODY BUILDER WIRING INSIDE CAB; Includes Sealed Connectors for Tail/Amber, Turn/Marker/Backup/Accessory, Power/Ground, and Stop/Turn	1/0	1
8MKL	BATTERY SYSTEM {International} Maintenance-Free, (3) 12-Volt 1950CCA Total	0/0	0
8RGA	2-WAY RADIO Wiring Effects; Wiring with 20 Amp Fuse Protection, Includes Ignition Wire with 5 Amp Fuse, Wire Ends Heat Shrink and Routed to Center of Header Console in Cab	1/0	1
8RMP	RADIO AM/FM/WB/Clock/3.5MM Auxiliary Input	2/0	2
8RMY	SPEAKERS (2) 5.25" Dual Cone Mounted in Both B-Pillars	4/0	4
8THJ	AUXILIARY HARNESS 3.0' for Auxiliary Front Head Lights and Turn Signals for Front Plow Applications	2/0	2
8TPR	STOP, TURN, TAIL & B/U LIGHTS {Weldon} LED Multi-Function Lamp, Mounted Outside Rails, Includes License Plate Light	-1/16	15
8VTR	BATTERY BOX Aluminum, with Plastic Cover; Mounted 35" Back of Cab, Left Side Perpendicular to Frame Rail	-1/-16	-17
8VZR	SWITCH, BODY CIRCUITS, MID for Bodybuilder, 6 Momentary Switches in Instrument Panel; One Power Module with 6 Channels, 20 Amp Max. Per Channel, 80 Amp Max Output, Switches Control Power Module Through Multiplex Wiring, Mounted in Cab Behind Driver Seat	1/0	1
8WGL	WINDSHIELD WIPER SPD CONTROL Force Wipers to Slowest Intermittent Speed When Park Brake Set and Wipers Left on for a Predetermined Time	0/0	0
8WJV	BATTERY DISCONNECT SWITCH {Joseph Pollak} for Cab Power Disconnect Switch; Lever Operated, Disconnects Power to PDC, Does Not Disconnect Charging Circuits, Cab Mounted	4/0	4
8WML	HEADLIGHTS Long Life Halogen; for Two Light System	0/0	0
8WPH	CLEARANCE/MARKER LIGHTS (5) {Truck Lite} Amber LED Lights, Flush Mounted on Cab or Sunshade	0/0	0
8WPZ	TEST EXTERIOR LIGHTS Pre-Trip Inspection will Cycle all Exterior Lamps Except Back-up Lights	0/0	0
8WRB	HEADLIGHTS ON W/WIPERS Headlights Will Automatically Turn on if Windshield Wipers are turned on	0/0	0

<u>Code</u>	<u>Description</u>	<u>F/R Wt</u> (lbs)	<u>Tot Wt</u> (lbs)
8WTL	STARTING MOTOR {Delco Remy 39MT} 12 Volt; Gear Reduced, with Thermal Over-Crank Protection	0/0	0
8WXD	ALARM, PARKING BRAKE Electric Horn Sounds in Repetitive Manner When Vehicle Park Brake is "NOT" Set, with Ignition "OFF" and any Door Opened	0/0	0
8XAH	CIRCUIT BREAKERS Manual-Reset (Main Panel) SAE Type III with Trip Indicators, Replaces All Fuses	0/0	0
8XGT	TURN SIGNALS, FRONT Includes LED Side Turn Lights Mounted on Fender	0/0	0
8XHN	HORN, AIR Black, Single Trumpet, with Lanyard Pull Chain	0/0	0
9585	FENDER EXTENSIONS Rubber	0/0	0
9AAB	LOGOS EXTERIOR Badges	0/0	0
9AAE	LOGOS EXTERIOR, ENGINE Badges	0/0	0
9HBM	GRILLE Stationary, Chrome	0/0	0
9HBN	INSULATION, SPLASH PANELS for Sound Abatement	3/0	3
9WBK	FRONT END Tilting, Fiberglass, with Three Piece Construction Includes Long Hood	0/0	0
10060	PAINT SCHEMATIC, PT-1 Single Color, Design 100	0/0	0
10761	PAINT TYPE Base Coat/Clear Coat, 1-2 Tone	0/0	0
10AAX	OVER THE AIR PROGRAMMING for Navistar or International Engines	0/0	0
10JPA	CUSTOMER IDENTITY for National Joint Powers Alliance	0/0	0
10WBS	KEYS - ALL ALIKE, ADDITIONAL 2 Keys	0/0	0
10WJH	PROMOTIONAL PACKAGE Government and Municipal Silver Package; Two Year Limited Subscription of On-Command Service Information (Formerly Fleet ISIS), and On-Command Parts Information (Formerly Fleet Parts Catalog), Requires Specific Feature Combinations	0/0	0
10WKN	KEYS - ALL ALIKE, ID I-1624 Compatible with Z-250	0/0	0
11001	CLUTCH Omit Item (Clutch & Control)	-135/-21	-156
12703	ANTI-FREEZE Red, Extended Life Coolant; To -40 Degrees F/ -40 Degrees C, Freeze Protection	0/0	0
12864	BLOCK HEATER, ENGINE {Phillips} 120V/1500W	4/0	4
12BDZ	ENGINE, DIESEL {International A26} EPA 2017, 390HP @ 1700 RPM, 1450 lb-ft Torque @ 1000 RPM, 2100 RPM Governed Speed, 390 Peak HP (Max)	0/0	0
12THT	FAN DRIVE {Horton Drivemaster} Direct Drive Type, Two Speed with Residual Torque Device for Disengaged Fan Speed	0/0	0
12VAG	AIR CLEANER Single Element, with Integral Snow Valve and In-Cab Control	2/0	2
12VGA	ENGINE CONTROL, REMOTE MOUNTED for PTO with N13/A26 Engines	0/0	0
12VGK	FEDERAL EMISSIONS {International A26} EPA, OBD and GHG Certified for Calendar Year 2018	0/0	0
12WEG	COLD STARTING EQUIPMENT Automatic; with Engine ECM Control	0/0	0

<u>Code</u>	<u>Description</u>	<u>F/R Wt</u> (lbs)	<u>Tot Wt</u> (lbs)
12WTA	FAN DRIVE SPECIAL EFFECTS Fan Cooling Ring with Fan Shroud Effects, Engine Mounted	0/0	0
12WZE	EMISSION COMPLIANCE Federal, Does Not Comply with California Clean Air Idle Regulations	0/0	0
12XBD	RADIATOR Aluminum; Welded, Front to Back CrossFlow System, 1292 Sqn, 1008 Sqn CAC	0/0	0
13AUT	TRANSMISSION, AUTOMATIC {Allison 4500 RDS} 5th Generation Controls, Wide Ratio, 5-Speed with Overdrive, with PTO Provision, Less Retarder, Includes Oil Level Sensor, On/Off Highway	128/177	305
13WAW	OIL COOLER, AUTO TRANSMISSION {Modine} Water to Oil Type	25/0	25
13WET	TRANSMISSION SHIFT CONTROL for Column Mounted Stalk Shifter	0/0	0
13WLM	TRANSMISSION OIL Synthetic; 63 thru 76 Pints	0/0	0
13WUC	ALLISON SPARE INPUT/OUTPUT for Rugged Duty Series (RDS); General Purpose Trucks, Construction	0/0	0
13WYH	TRANSMISSION TCM LOCATION Located Inside Cab	0/0	0
13WYU	SHIFT CONTROL PARAMETERS Allison 3000 or 4000 Series Transmissions, 5th Generation Controls, Performance Programming	0/0	0
13XAT	PTO LOCATION Dual, Left Side and Top of Transmission	0/0	0
14HRC	AXLE, REAR, TANDEM {Meritor RT-46-164EH} Single Reduction, Standard Width, 46,000-lb Capacity, Driver Controlled Locking Differential in Forward-Rear and Rear-Rear Axle, 200 Wheel Ends . Gear Ratio: 4.30	0/1970	1970
14UZU	SUSPENSION, REAR, TANDEM {Chalmers 854-46H} Walking Beam Type, with Rubber Spring, 54" Axle Spacing; 46,000-lb Capacity, with Standard Restrictor Cans, (8) Torque Rods, Less Shocks	0/433	433
14WMK	AXLE, REAR, LUBE {EmGard FE-75W-90} Synthetic Oil; 65 thru 89.99 Pints	0/0	0
15924	FUEL TANK STRAPS Bright Finish Stainless Steel	0/0	0
15DYP	DEF TANK 9.5 U.S. Gal. 35.9L Capacity, Frame Mounted Outside Left Rail, Under Cab	0/0	0
15LKW	FUEL/WATER SEPARATOR {Davco Fuel Pro 382} with Fuel Heated Fuel Heater, Thermostatic Fuel Temperature Control, Mounted In Standard Position, Includes Water-In-Fuel Light	0/0	0
15LLP	LOCATION FUEL/WATER SEPARATOR Mounted Inside Left Rail, Back of Cab	0/0	0
15SGJ	FUEL TANK Top Draw, Non-Polished Aluminum, D-Style, 16" Tank Depth, 50 US Gal (189L), with Quick Connect Outlet, Mounted Left Side, Under Cab	-2/-5	-7
16030	CAB Conventional	0/0	0
16BAM	AIR CONDITIONER with Integral Heater & Defroster	0/0	0
16GDC	GAUGE CLUSTER Base Level; English with English Speedometer and Tachometer, for Air Brake Chassis, Includes Engine Coolant Temperature, Primary and Secondary Air Pressure, Fuel and DEF Gauges, Oil Pressure Gauge, Includes 3 Inch Monochromatic Text Display	0/0	0
16HGH	GAUGE, OIL TEMP, AUTO TRANS for Allison Transmission	1/0	1

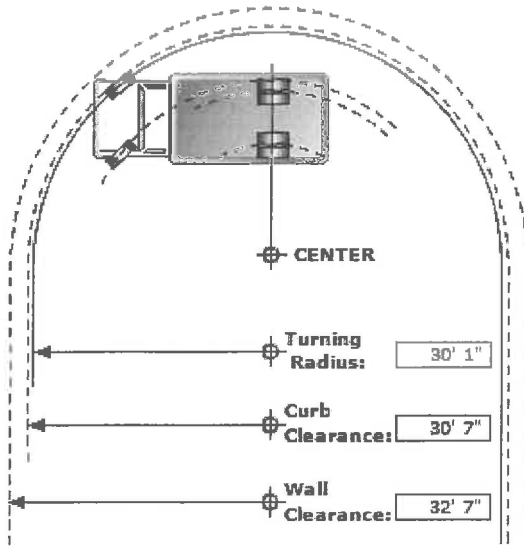
<u>Code</u>	<u>Description</u>	<u>F/R Wt</u> (lbs)	<u>Tot Wt</u> (lbs)
16HHE	GAUGE, AIR CLEANER RESTRICTION {Filter-Minder} with Black Bezel Mounted in Instrument Panel	2/0	2
16HKT	IP CLUSTER DISPLAY On Board Diagnostics Display of Fault Codes in Gauge Cluster	0/0	0
16LJL	SEAT, DRIVER {National 2000} Air Suspension, High Back with Integral Headrest, Cloth, Isolated, 1 Chamber Lumbar, 2 Position Front Cushion Adjustment, -3 to +14 Degree Seat Back Adjustment	1/0	1
16SEE	GRAB HANDLE Chrome; Towel Bar Type with Anti-Slip Rubber Inserts; for Cab Entry Mounted Left Side Only at "B" Pillar	3/0	3
16SMR	SEAT, PASSENGER {National} Non Suspension, High Back with Integral Headrest, Cloth, with Fixed Back, with Under Seat Storage	26/15	41
16SNT	MIRRORS (2) Aero; Pedestal, Power Adjust, Heated Heads, Turn Signals, Black Heads and Arms, 6.3" x 13.82" Flat Glass, 6.38" x 6.18" Convex Glass Both Sides	0/0	0
16VBT	CAB SOUND INSULATION Includes Dash Insulator and Engine Cover Insulator, Premium Floormat, and Sound Dampening Patches	27/0	27
16VKB	CAB INTERIOR TRIM Classic, for Day Cab	0/0	0
16VSL	WINDSHIELD Heated, Single Piece	1/0	1
16WBY	ARM REST, RIGHT, DRIVER SEAT	3/0	3
16WJU	WINDOW, POWER (2) and Power Door Locks, Left and Right Doors, Includes Express Down Feature	5/0	5
16WSK	CAB REAR SUSPENSION Air Bag Type	0/0	0
16WSL	MIRROR, CONVEX, HOOD MOUNTED (2) {Lang Mekra} for Left and Right Sides 7.44" Sq.	11/0	11
16XJN	INSTRUMENT PANEL Flat Panel	0/0	0
16XTM	ACCESS, CAB Aluminum; Driver & Passenger Sides, Two Steps Per Door, for use with Daycab or Sleeper Cabs	39/14	53
27DUL	WHEELS, FRONT {Accuride 29300} DISC; 22.5x9.00 Rims, Powder Coat Steel, 5-Hand Hole, 10-Stud, 285.75mm BC, Hub-Piloted, Flanged Nut, with Steel Hubs	82/0	82
28DUK	WHEELS, REAR {Accuride 29169} DUAL DISC; 22.5x8.25 Rims, Powder Coat Steel, 5-Hand Hole, 10-Stud, 285.75mm BC, Hub-Piloted, Flanged Nut, with .472" Thick Increased Capacity Disc and Steel Hubs	0/88	88
29PBA	PAINT IDENTITY, FRONT WHEELS Disc Wheels; with Vendor Applied Black Powder Coat Paint	0/0	0
29PBB	PAINT IDENTITY, REAR WHEELS Disc Wheels; with Vendor Applied Black Powder Coat Paint	0/0	0
29WLK	WHEEL BEARING, FRONT, LUBE {EmGard FE-75W-90} Synthetic Oil	0/0	0
7382135423	(8) TIRE, REAR 11R22.5 Load Range H HDR2 (CONTINENTAL), 491 rev/mile, 75 MPH, Drive	0/120	120
7792545435	(2) TIRE, FRONT 315/80R22.5 Load Range L CITY SERVICE HA3 (CONTINENTAL), 480 rev/mile, 68 MPH, All-Position	82/0	82

**Services Section:**

<u>Code</u>	<u>Description</u>	<u>F/R Wt</u> (lbs)	<u>Tot Wt</u> (lbs)
40127	WARRANTY Standard for HV513, HV613 Models, Effective with Vehicles Built July 1, 2017 or Later, CTS-2030A	0/0	0
40SNN	SRV CONTRACT, EXT ENGINE {Navistar} To 60-Month/100,000 Miles (160,000 km), 3,600 Hours; Includes Engine, Engine Electronics, Turbocharger, Water Pump and Fuel Injectors, for International A26 Engines	0/0	0
	<b>Total Component Weight:</b>	<b>9459/7546</b>	<b>17005</b>
	Special Delivery Prep (Heavy)	0/0	0
	This is a NJPA sale. Navistar's NJPA# 081716-NVS. The City of West Allis is a Member of NJPA, their member# 42656	0/0	0
	Price to move air tanks and air dryer	0/0	0
	<b>Total Goods Purchased:</b>	<b>0/0</b>	<b>0</b>

The weight calculations included in this proposal are an estimate of future vehicle weight. The actual weight as manufactured may be different from the estimated weight. Navistar, Inc. shall not be liable for any consequences resulting from any differences between the estimated weight of a vehicle and the actual weight.





Series: HV  
 Model: HV613  
 Description: HV613  
 Model Year: 2019

**Calculation Factors**

Wheelbase: 187  
 Front Axle: 0002ARZ  
 Description: AXLE, FRONT NON-DRIVING, {Meritor MFS-18-133A} Wide Track, I-Beam Type, 18,000-lb Capacity  
 Front Wheel: 0027DUL  
 Description: WHEELS, FRONT, {Accuride 29300} DISC; 22.5x9.00 Rims, Powder Coat Steel, 5-Hand Hole, 10-Stud, 285.75mm BC, Hub-Piloted, Flanged Nut, with Steel Hubs  
 Front Tire: 07792545435  
 Description: TIRES, 315/80R22.5 Load Range L CITY SERVICE HA3 (CONTINENTAL), 480 rev/mile, 68 MPH, All-Position  
 Steering Gear: 0005PTB  
 Description: STEERING GEAR, (2) {Sheppard M100/M80} Dual Power

**Turning Radius Statistics**

**General Information**

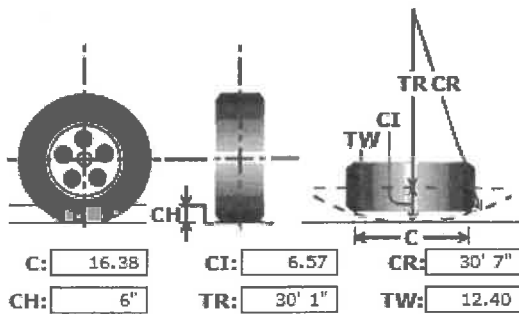
Inside Turn Angle: 40 Degrees  
 Radial Overhang: 30

**Axle Information**

KingPin Inclination: 6.25 Degrees  
 KingPin Center: 71

**Turning Radius - Curb View**

C - Curb Contact Length: 16.38  
 CI - Curb Clearance Increment: 6.57  
 CR - Curb Clearance Radius: 30'7"  
 CH - Curb Height: 6"  
 TR - Turning Radius: 30'1"  
 TW - Tire Width: 12.40



\* All Measurements are in inches, unless otherwise specified.

This information is based on engineering information available at this time. Actual figures may vary. Navistar, Inc. cannot accept liability for consequences due to this variance.

TCAPE Study cannot be executed for the following reasons: Selected Transmission is missing Shift Schedule:0013AUT

<u>Description</u>	<u>(US DOLLAR)</u>	<u>Price</u>
Net Sales Price:		\$120,475.00
Memo Item(s):		
Total Federal Excise Tax	\$0.00	
Note: Memo item(s) shown here are included in the above Net Sales Price.		

Please feel free to contact me regarding these specifications should your interests or needs change. I am confident you will be pleased with the quality and service of an International vehicle.

**Approved by Seller:**

**Accepted by Purchaser:**

\_\_\_\_\_  
Official Title and Date

\_\_\_\_\_  
Firm or Business Name

\_\_\_\_\_  
Authorized Signature

\_\_\_\_\_  
Authorized Signature and Date

**This proposal is not binding upon the seller without Seller's Authorized Signature**

\_\_\_\_\_  
Official Title and Date

**The TOPS FET calculation is an estimate for reference purposes only. The seller or retailer is responsible for calculating and reporting/paying appropriate FET to the IRS.**

